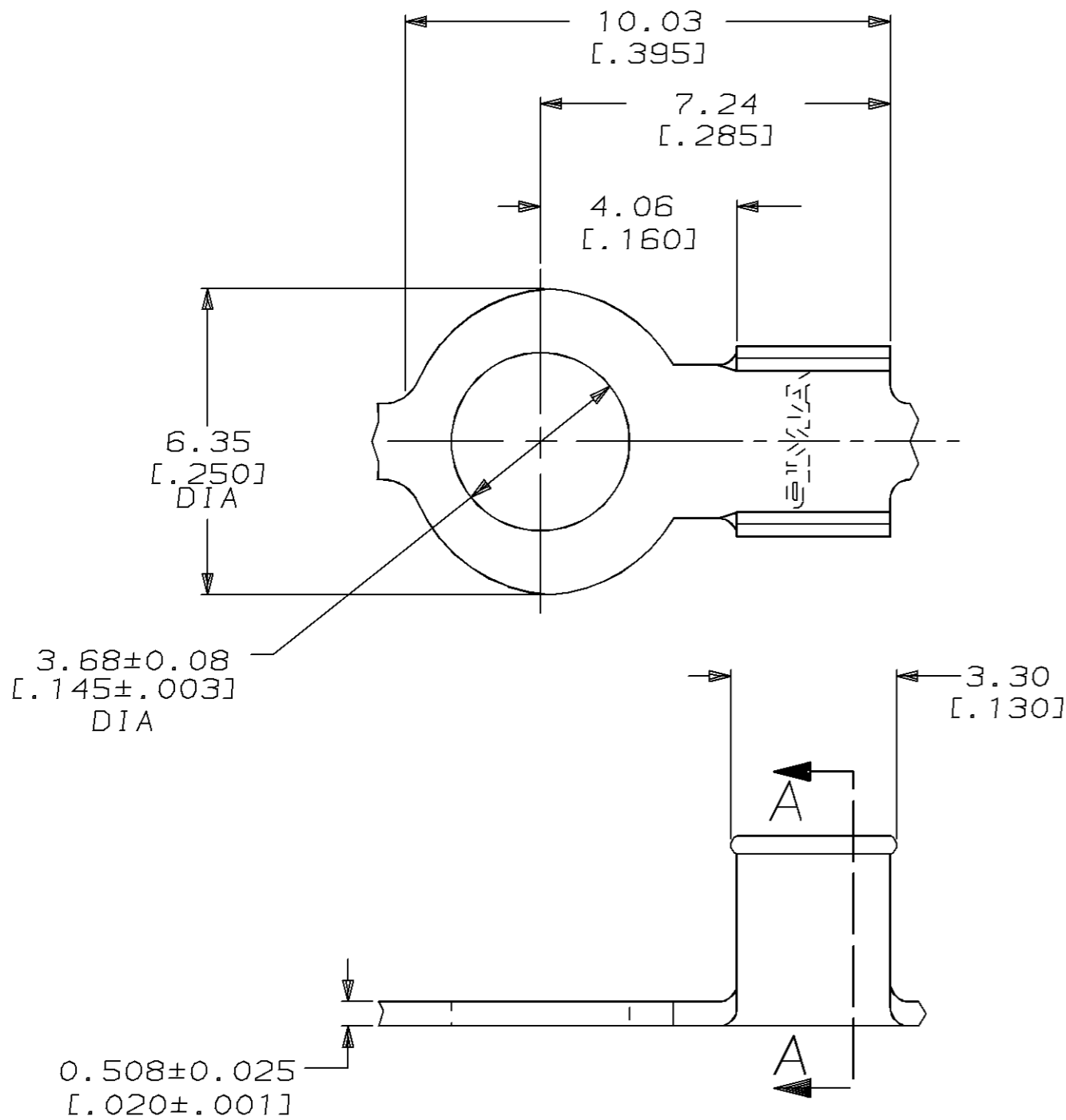
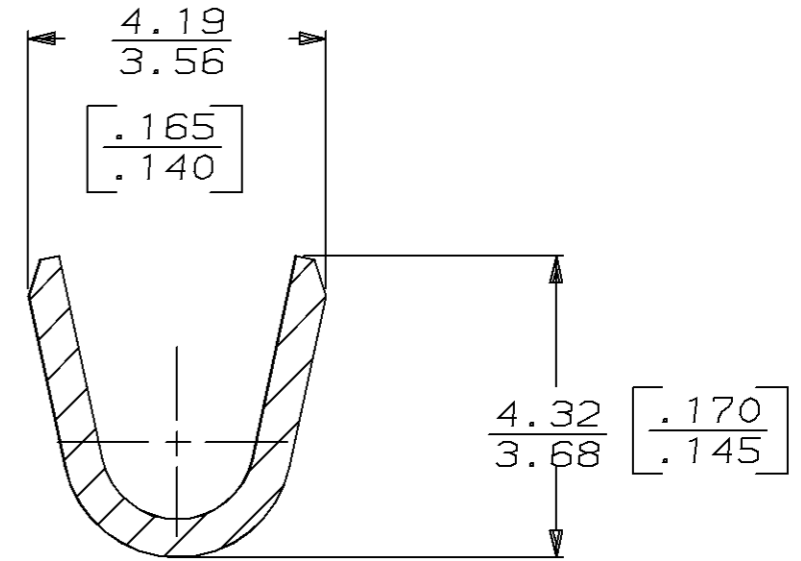


THIS DRAWING IS UNPUBLISHED. RELEASED FOR PUBLICATION, 19 .
 © COPYRIGHT 19 BY AMP INCORPORATED. ALL INTERNATIONAL RIGHTS RESERVED.

LOC	DIST	P	F	ZONE	LTR	REVISIONS	DATE	APPD
AF	50				K	REV AND REDRAWN PER 0710-0330-95	12/SEP/95	PF/GY



1 CONTINUOUS STRIP ON REEL.



SECTION A-A
SCALE 10:1

THIS DRAWING IS A CONTROLLED DOCUMENT FOR AMP INCORPORATED. IT IS SUBJECT TO CHANGE AND THE CONTROLLING ENGINEERING ORGANIZATION SHOULD BE CONTACTED FOR THE LATEST REVISION.

DO NOT SCALE PRINT. UNLESS SPECIFIED DIMENSIONS IN mm [INCHES] TOLERANCES ON: 2 PLC DEC ± 0.25 [.010] 3 PLC DEC ± - ANGLES ± -		DR 12/SEP/95 PHILLIP M FORTNEY	[20-14] AWG	40702
MATERIAL 082 BRASS	CHK 12/SEP/95 JEFF R RUTH	AMP Incorporated Harrisburg, PA 17105-3608	WIRE RANGE	PART NO
FINISH -	APPD 12/SEP/95 GARY YETTER	NAME RING	SIZE B	CAGE CODE 00779
	APPD 12/SEP/95 MARK BARNABA		SCALE 8:1	DRAWING NO C=40702
	PRODUCT SPEC -		SHEET 1 OF 1	
	APPLICATION SPEC -			
	WEIGHT -			